

# Phase Control Thyristors **Wespack**

**September 2007** Issue 4

Introducing a new concept in phase control thyristors for applications requiring devices rated to 2200V.

### Four voltage grades:

•600V\* •1400V •1800V •2200V

**\*NEW** 600V technology design gives genuine low voltage thyristors

Wespack devices provide the maximum power rating for weight and volume without compromising on quality and reliability.

### Features and Benefits

- Low Profile - 15mm package
- Fully Hermetic Press-pack
- Maximum current rating and lowest thermal impedance for package size.
- Improved diffusion profile to maximise performance
- Compatible with existing mechanical designs

### Applications

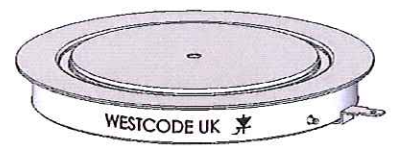


### Typical Applications include:

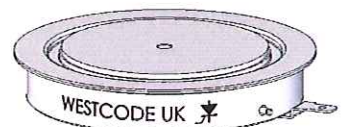
- Soft-starts
- Industrial Drives
- Wind Power Converters
- Electrochemical Power Supplies
- Welding



**Maximum Power  
Minimum Weight!**



Boss Ø 68mm



Boss Ø 50mm



Boss Ø 38mm



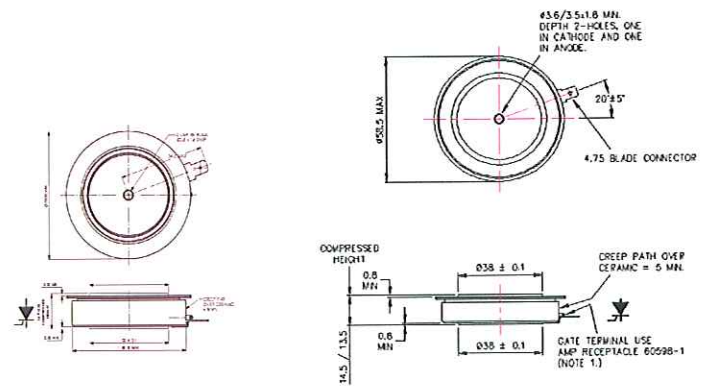
Boss Ø 32mm

# Wespack Phase Control Thyristors - 600V to 2200V

## Summary Table

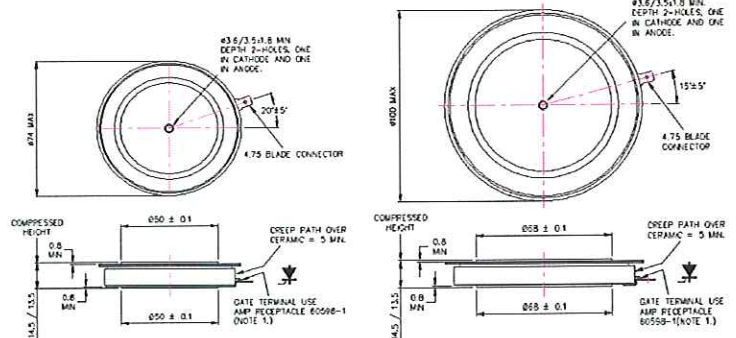
Type	$V_{DRM} / V_{RRM}$	$I_{TAV}$	$I_{TSM}$	$V_{TO}$	$r_T$	$R_{thJK}$	Outline & Weight Grams
Part No.	V	$T_K=55^\circ\text{C}$ A	10ms 1/2 sine $V_R \approx 60\% V_{RRM}$ A	V	$@T_{jmax}$ mΩ	d.c. 180° sine K/W	
N1174JK200	2000	1174	13200	1.000	0.416	0.028	A - 135g
N1174JK220	2200	1174	13200	1.000	0.416	0.028	
N1263JK160	1600	1263	15000	1.015	0.332	0.028	
N1263JK180	1800	1263	15000	1.015	0.332	0.028	
NX159JK120*	1200	Product in development - refer to factory				0.028	B - 200g
NX159JK140*	1400	Product in development - refer to factory				0.028	
N2154JK020	200	2154	22700	0.890	0.107	0.028	
N2154JK060	600	2154	22700	0.890	0.107	0.028	
N1651QK200	2000	1651	17300	1.060	0.317	0.018	C - 260g
N1651QK220	2200	1651	17300	1.060	0.317	0.018	
N1806QK160	1600	1806	19100	1.022	0.253	0.018	
N1806QK180	1800	1806	19100	1.022	0.253	0.018	
N2083QK080	800	2083	22000	0.955	0.177	0.018	D - 550g
N2083QK140	1400	2083	22000	0.955	0.177	0.018	
N3229QK020	200	3229	28000	0.926	0.067	0.018	
N3229QK060	600	3229	28000	0.926	0.067	0.018	
N2367MK200	2000	2367	32400	0.883	0.210	0.014	D - 550g
N2367MK220	2200	2367	32400	0.883	0.210	0.014	
N2593MK160	1600	2593	34500	0.940	0.154	0.014	
N2593MK180	1800	2593	34500	0.940	0.154	0.014	
N3022MK120	1200	3022	38200	0.981	0.090	0.014	D - 550g
N3022MK140	1400	3022	38200	0.981	0.090	0.014	
N4316MK020	200	4316	45400	0.840	0.053	0.014	
N4316MK060	600	4316	45400	0.840	0.053	0.014	
NX160HK200*	2000	Product in development - refer to factory				0.009	D - 550g
NX160HK220*	2200	Product in development - refer to factory				0.009	
N4472HK160	1600	4472	59000	0.986	0.068	0.009	
N4472HK180	1800	4472	59000	0.986	0.068	0.009	
NX160HK120*	1200	Product in development - refer to factory				0.009	D - 550g
NX160HK140*	1400	Product in development - refer to factory				0.009	
N6974HK020	200	6974	65000	0.853	0.029	0.009	
N6974HK060	600	6974	65000	0.853	0.029	0.009	

\* Development Part Number



Outline A - Ø32mm

Outline B - Ø38mm



Outline C - Ø50mm

Outline D - Ø68mm



47mm - NxxxNS



50mm Wespack



63mm - NxxxxVC

**WESTCODE**  
An IXYS Company

**IXYS**

Contact us: Westcode Semiconductors Ltd  
Langley Park Way  
Chippenham SN15 1GE  
United Kingdom  
Tel: +44 (0)1249 444524  
Fax: +44 (0)1249 659448  
Email: wsl.sales@westcode.com

IXYS Semiconductors GmbH  
Edisonstr. 15  
D-68623 Lampertheim  
Germany  
Tel: +49 (0) 6206 503-0  
Fax: +49 (0) 6206 503627  
Email: marcom@ixys.de

We are supported by a global network of local offices, representatives and distributors. Please visit our websites for further information.



Certificate No. FM 26085

Westcode Semiconductors Limited's BS EN ISO 9001  
Quality System is registered by BSI.

[www.ixys.com](http://www.ixys.com)

[www.westcode.com](http://www.westcode.com)